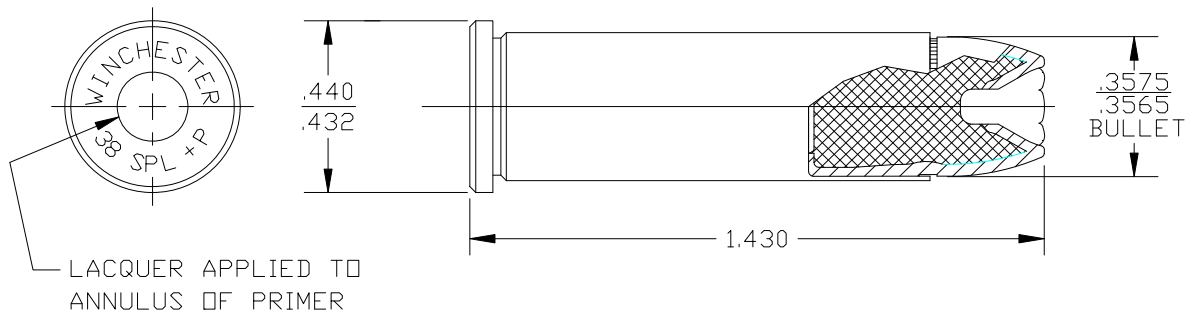




## Winchester 38 Special +P (130) Bonded JHP

- Symbol: **RA38B** – Winchester Ranger Bonded
- Shellcase: 38 Special +P nickel plated brass shellcase
- Bullet: 130 grain Bonded JHP; Bullet Jacket Bonded to Lead Core
- Powder Type: Clean burning, low flash
- Primer: Winchester non-corrosive primer, boxer type
- Accuracy: Product Mean of 1.75 inches Extreme Spread  
5 shot targets at 50 yards from a 7.71 inch SAAMI test barrel
- Velocity: 950 ft/sec nominal at muzzle                      1150 ft/sec nominal @ 15 feet  
Fired from a 4" vented barrel                              Fired from a 7.71" SAAMI test barrel
- Energy: 260 ft-lbs nominal at muzzle  
Fired from a 4" vented barrel
- Pressure: 20,000 psi maximum average
- Waterproofing: Shellac applied to primer annulus and shellcase mouth



ALL DIMENSIONS SHOWN ABOVE ARE FOR REFERENCE ONLY  
INFORMATION PUBLISHED HEREIN IS SUBJECT TO CHANGE AT MANUFACTURER'S DISCRETION WITHOUT NOTICE.

OLIN CORPORATION • WINCHESTER DIVISION • 600 POWDER MILL ROAD • EAST ALTON, IL 62024-1197  
TELEPHONE: 618 258-2000 • WEB SITE: [www.winchester.com](http://www.winchester.com)